

WIDE

20.1" Mil-Tailored Rugged TFT Color LCD Monitor RDP2010UX



Main Features

- Mil-tailored rugged design for use in harsh environments such as military applications
- State-of-the art LCD for high resolution and flicker free image
- High performance video controller board designed and manufactured in-house for longer life cycle
- Front filter glass with multilayer of index matched optical enhancement film and EMI shield
- Integrated power supply
- Fanless conduction cooling

Application Areas

- Airborne, Landbased, Shipborne C4I-SR systems
- Radar Display System
- Fire Control Systems
- Machinery Control Systems
- Sonar Systems
- UAV Ground Control System

DREAM-LCD

Dependable Rugged Ergonomic Active Matrix-LCD

WIDE's RDP2010UX is a rugged 20.1" TFT Color LCD monitor which is designed and tailored for operation in harsh environments such as military applications.

It's all-metal rugged construction, front filter glass with multilayer of index matched optical enhancement film and EMI shield and user-friendly slim design provides reliable display solution to military

system integrators for mission critical operator display system. Optional features including extended dimming and 2nd input signal interface can be implemented to satisfy many different customer specific requirements.

20.1" Mil-Tailored Rugged TFT Color LCD Monitor

ELECTRO OPTICAL SPECIFICATIONS

Panel Type	Active Matrix Color TFT LCD
Screen Size	510.5 mm (20.1") diagonal 408.0 (H) x 306.0 (V) mm (16.06" H x 12.05" V)
Resolution	1600 (H) x RGB x 1200 (V) pixels
No. of Colors	16.7M colors, 256 gray scales
Luminance	280 cd/m ² (on LCD)
Contrast Ratio	700:1 (typical) @ dark room
Viewing Angle	± 89° (CR ≥ 10) Hor. and Vert.
Input Signal	Supports up to 1600 x 1200 (UXGA)
Input Connectors	5 x BNC / 1 x D-Sub / 1 x DVI-D
Sync Type	Separate / Composite / Sync-on-Green
Controls	5 Push Buttons on front bezel
Power Supply	100 ~ 240 VAC, 50/60Hz (Std) 28 VDC (MIL-STD-1275A) (Option)
Power Consumption	75W Max.
Power Connector	Std IEC Inlet 5-pin MIL Circular (Option)

OPTIONAL FEATURES

FFC (Flicker-Free Control) for sonar application

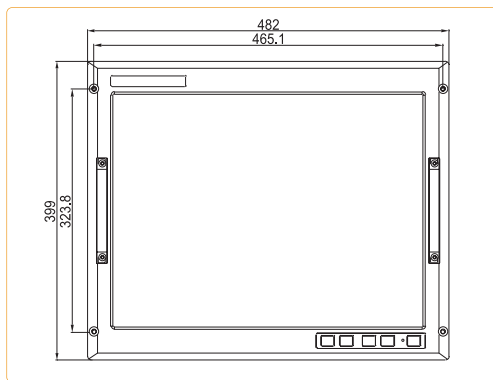
ENVIRONMENTAL SPECIFICATIONS

Test Standards	MIL-STD-810F
Oper. Temperature	-10°C to 55°C (32°F to 131°F)
Stor. Temperature	-40°C to 70°C (-24°F to 158°F)
Humidity	Max. 95% @ 40°C non-condensing
Shock	30g-11ms, half sine
Altitude (Oper.)	Up to 25,000 ft
Drip Proof	On front side
Vibration	MIL-STD-167-1 Type I
EMI/EMC	MIL-STD-461E CE102, RE101, RE102, CS101, CS114, CS116, RS101, RS103
MTBF	25,000hrs (MIL-HDBK-217F, NS)
MTTR	Less than 0.5 hour

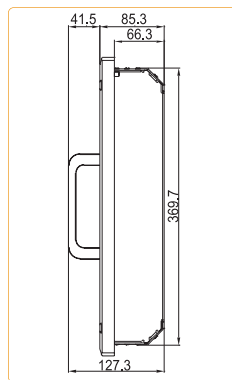
MECHANICAL SPECIFICATIONS

Dimension (W x H x D)	482mm x 399mm x 127.3mm (18.98" x 15.71" x 5.01")
Weight	11Kg
Bezel Color	Black
Construction	All-metal, Rugged Construction
Mounting	Panel Mount (Std)

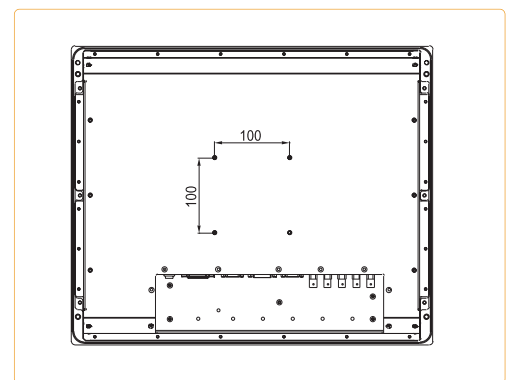
* Detail outline drawings are available upon request.



● Front View



● Side View



● Rear View



World Innovative Display Engineering

WIDE Corporation Korea
Chungbuk, Korea
Tel. +82 43 219 2800
Fax. +82 43 219 2900
info@widecorp.com
http://www.widecorp.com

WIDE USA Corporation
Tustin, CA, USA
Tel. +1 714 734 9433
Fax. +1 714 734 9431
info@widecorp.com
http://www.widecorp.com

WIDE EU Office
Amsterdam, the Netherlands
Tel. +31 20 311 9797
Fax. +31 20 311 9790
steve@widecorp.com
http://www.widecorp.com

The contents in this literature are subject to change without prior to notice.
The color of the products on this literature may be different.
Dimensions given by way of indication only.