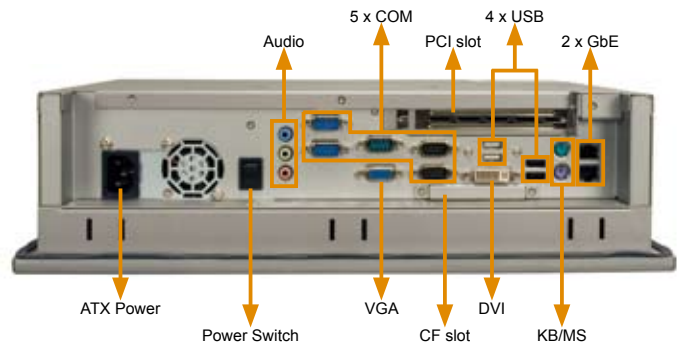


# PPC-5350GS *Pentium® M / Celeron® M Panel PC with 15" TFT LCD and Touchscreen*



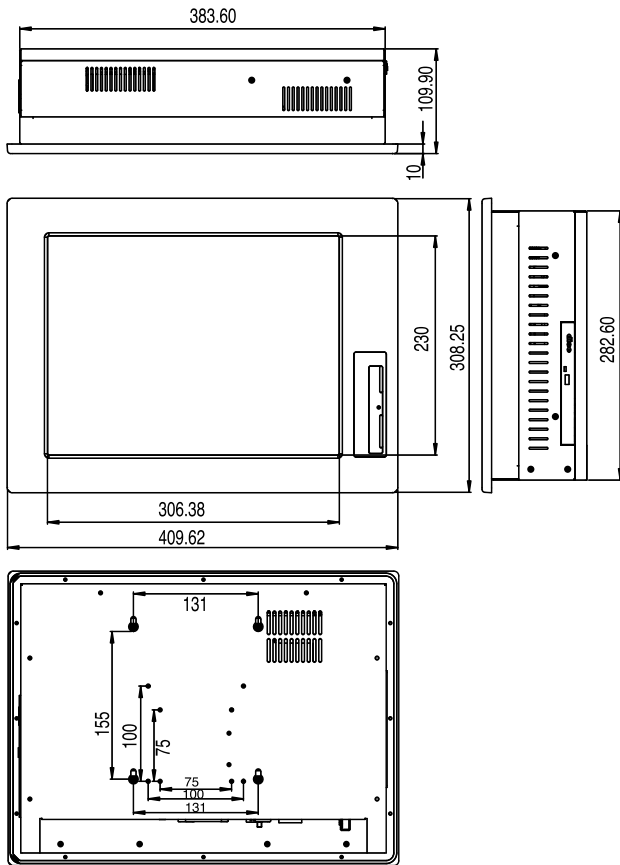
## Features

1. Intel® Pentium® M / Celeron® M mobile CPU supported
2. Two DDR SDRAM DIMM support up to 2GB
3. Intel® Pentium® M/Celeron® M industrial main board inside.
4. Easy installation and mechanism design
5. Aluminum die-casting IP 65 and high brightness 15" industrial panel
6. Dual Gigabit Ethernet support
7. RoHS compliant

## Specifications

CPU	- Socket 479 Intel® Pentium® M/Celeron® M CPU with a 400 MHz (max.) FSB - On-board 1 GHz ULV Intel® Celeron® M zero cache CPU with a 800 MHz FSB	Touch Screen	5-wire resistive type with RS-232 interface.
		LCD	- Resolution :1024 x 768 (XGA) - Brightness : 350 cd/m <sup>2</sup> - Contrast Ratio : 400:1 - Viewing Angle (H-V):120/100 - Backlight MTBF : 50000hrs
Chipset	Intel® 855GME + ICH4	Operating Temperature	0°C ~ 50°C.
Memory	2 x 1 GB (max.) 266/333 MHz DDR DIMM (system max. 2 GB)	Storage Temperature	-20°C ~ 60°C.
VGA	Intel® 855GME support dual display	Vibration	- 5~17Hz 0.1" double amplitude displacement - 17~640 Hz 1.5G acceleration peak to peak
SSD	CF Type II	Shock	10G acceleration peak to peak. (11ms)
Drive Bay	-1 x 2.5" SATA/IDE HDD bay -1 x Slim Type CD-ROM bay	Relative Humidity	5% ~ 95% @ 60° C, non-condensing
Ethernet	2 x Realtek RTL8110S Gigabit Ethernet controllers	Net / Gross Weight	8 Kg / 12 Kg
Audio	AC '97 2.3 Realtek ALC 655	Dimensions (W x H x D)	410 mm x 309 mm x 110 mm
I/O	- 1 x RS-232/422/485 port - 4 x RS-232 ports - 4 x USB 2.0 ports - 2 x PS/2 ports (KB/MS) - 1 x VGA out - 1 x DVI - 2 x LAN - 3 x Audio (Lin-in, Line-out, MIC-in) - 2 x IDE - 2 x SATA	Power Supply	ATX Power - 180W, ACE-4518AP-RS - Input: 90 ~ 240VAC @ 50/60Hz - Output (max.): 3.3V@16.8A, 5V@12A, 12V@10A, -12V@0.8A ATX Power for Intel® Celeron® M 1 GHz CPU - 00W, ACE-85C-RS - Input: 24VDC @ 4.0A (RMS) - Output (max.): 3.3V@4A, 5V@ 3A, 2V@2.5A, - 2V@0.3A
		Front Panel Protection	IP 65 compliant
Expansion Slot	- 1 x PCI slot - 1 x Mini-PCI socket - 1 x PCMCIA socket (support 32-bit CardBus)	Certificate	Meets CE, FCC

### Dimensions (Unit: mm)



### Packing List

Part Number	Description	Amount
32000-000002-RS	Power Cord	1
	User Manual & Driver CD-ROM	1
19600-000078-RS	Screws Kits	1
19100-000039-RS	CPU Cooler ( Only for Socket-479 Model)	1
32000-069900-RS	HDD IDE Cable	1
WK-150MS-R10	Wall Mounting Kits	1
PK-150M	Panel Mounting Kits	1
	Touch Screen Driver CD / Touch Pen (For T-R model only)	1

### Ordering Information

PPC-5350GS/A300-1GZ/ACE-815C/T-R/512MB	15" 350 cd/m <sup>2</sup> XGA TFT LCD panel PC with A300, ULV Celeron® M 1GHz CPU, 512MB RAM, Touch screen and ACE-815C (24VDC input, 100W power supply), RoHS
PPC-5350GS-R11/A300-1GZ/T-R/ 512MB	15" 350 cd/m <sup>2</sup> XGA TFT LCD panel PC with A300, ULV Celeron® M 1GHz CPU, 512MB RAM and Touch screen, RoHS
PPC-5350GS/A300-CM370/ACE-815C/T-R/1GB	15" 350 cd/m <sup>2</sup> XGA TFT LCD panel PC with A300 main board, CPU Celeron M 1.5Ghz, 1GB RAM, Touch screen and ACE-815C (24VDC input, 100W power supply), RoHS
PPC-5350GS-R11/A300-CM370/T-R/1GB	15" 350 cd/m <sup>2</sup> XGA TFT LCD panel PC with A300 main board, CPU Celeron M 1.5Ghz, 1GB RAM and Touch screen, RoHS
WL-KIT01	802.11 B/G Mini-PCI interface WiFi module with RF cable and antenna, RoHS

### Low Power Consumption and Thermal Distribution

PPC-5350 is a Intel® Pentium® M solution. Since the CPU power consumption is much lower than Intel® Pentium® 4 system, there is no system fan needed in PPC-5350.

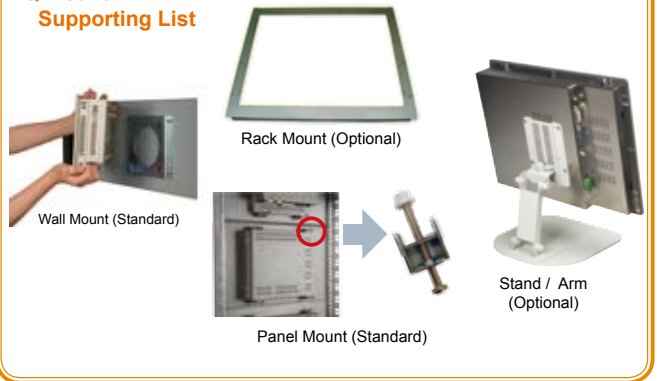


**No System Fan Needed**

### Power Supply Options

Type	Model No.	Watt	Remark
ATX AC-input	ACE-4518AP-RS	180W	Standard
	ACE-4520C-RS	200W	
ATX DC-input	ACE-815C-RS	100W	Standard
			for Celeron® M 1GHz only

### IQ Mount Supporting List



### Options

RK-150MS-R10	Rack Mount kit
ARM-31-RS	LCD Monitor Arm
STAND-100-RS/STAND-210-RS	LCD Monitor Stand